



OMNI®

ONE LIFE MEANS EVERYTHING



FULL FLEXIBILITY MEANS STABILITY.



Why settle for less? OMNI* offers multiple CRRT and anticoagulation modes. With OMNIset you can switch between different therapies and dilution mode.

You get full flexibility and control

Therapeutic Offering

SCUF
 CVVH (Pre - Post - Pre/Post - Post/Post)
 CVVHD
 CVVHDF
 TPE
 CO₂ removal

Anticoagulation Modes

Heparin
 Heparin
 Heparin Citrate
 Heparin Citrate
 Heparin
 Heparin

SCUF (slow continuous ultrafiltration) with heparin anticoagulation or with no anticoagulation
 CVVH (continuous venovenous hemofiltration) pre-dilution or post-dilution or pre-post-dilution or post-post-dilution with heparin anticoagulation or with no anticoagulation
 CVVHD (continuous venovenous hemodialysis) with heparin anticoagulation or regional citrate anticoagulation (RCA) or with no anticoagulation
 CVVHDF (continuous venovenous hemodiafiltration) post-dilution with heparin anticoagulation or RCA or with no anticoagulation
 TPE (Therapeutic Plasma Exchange)

360°

COMPREHENSIVE. ANY WAY YOU LOOK AT IT.



The 360° portfolio gives you the freedom and the capability to offer your patients the appropriate form of therapy whenever necessary – regardless of the severity of the condition. As one of the worldwide leader in the field, B. Braun always strives for a high level of quality and reliability.



CUTTING-EDGE DESIGN.

Totally mobile with a small footprint

Thanks to the compact size and low weight of the OMNI, it is easy to move the machine inside the ICU. This mobility is supported by a backup battery of 30-minute capacity.



Sleek and light device available

The OMNI unique design makes it to one of the most compact devices in the market – an often appreciated advantage in the ICU environment.

AS EASY AS 1, 2, 3 ...



- Discover the easiness of the fully pre-connected Plug & Play OMNIssets.
1. Scan the barcode and unpack the set.
 2. Plug the set onto the OMNI.
 3. Load and prime automatically.



Fully pre-connected Plug & Play OMNIssets®

The OMNIsset has been designed to reduce setup, loading and priming workloads. Emergency connection for acute patients can be performed with limited training. Clear and simple on-screen instructions further facilitate the process.

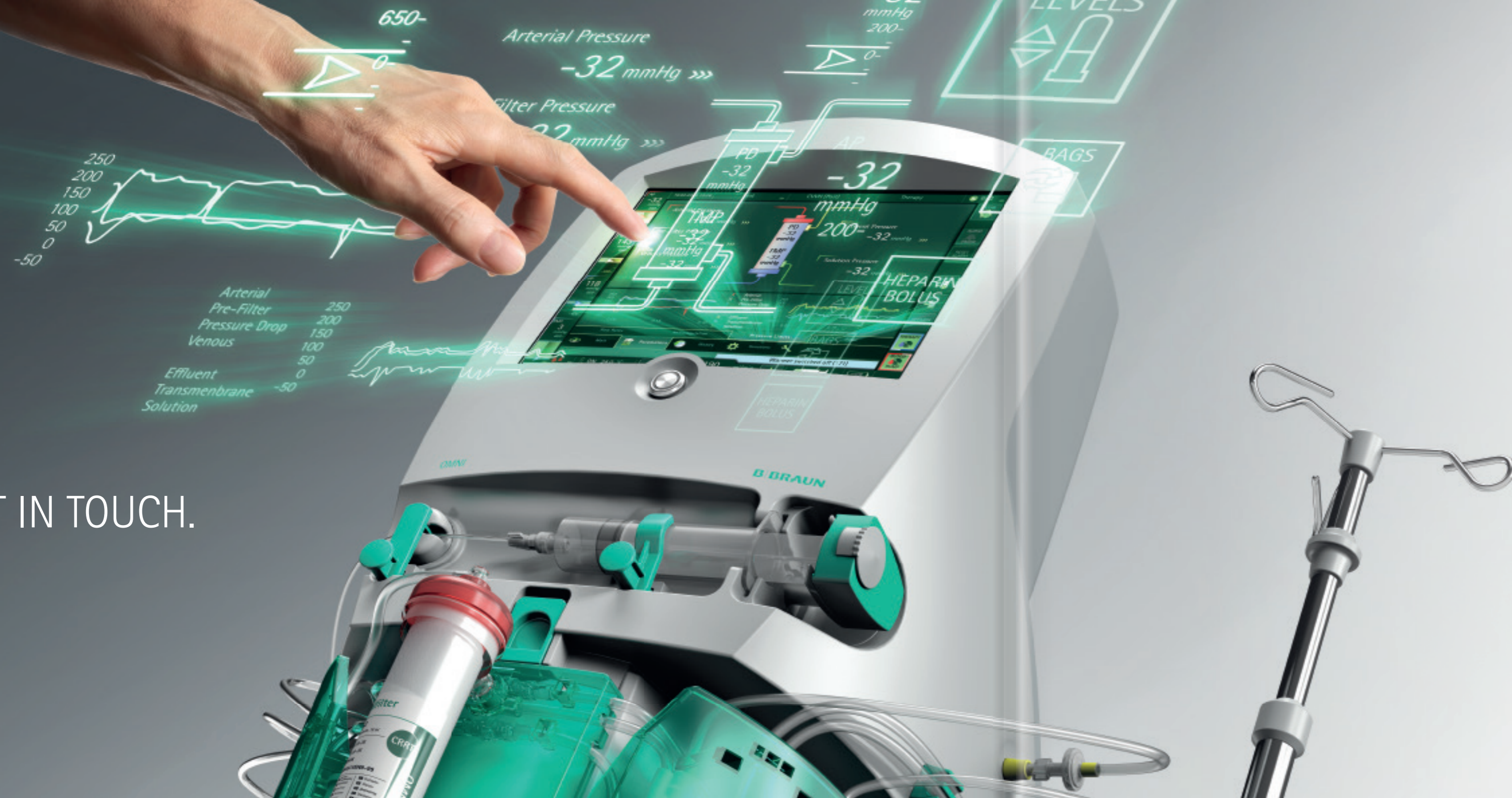


Save preparation time with the OMNIsset®*

With the pre-assembled OMNIsset and easy step-by-step on-screen instructions, setting up the OMNI is faster and ready to use than for any other device in its class.

*OMNIsset Set Version 3.00 (or higher)

GET IN TOUCH.



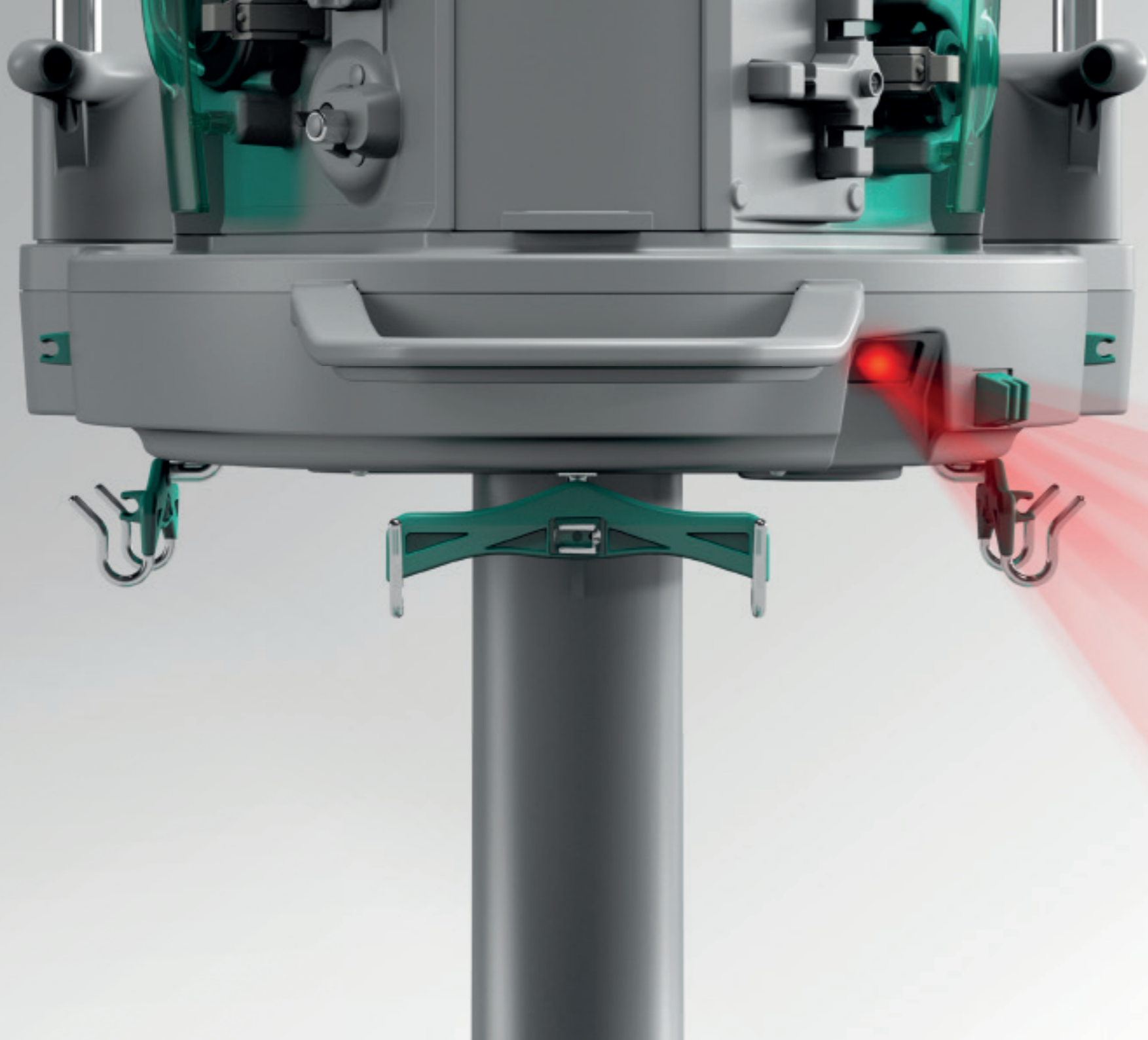
The crystal-clear, 12" touchscreen provides the information you need and makes it easy to act rapidly and adequately in emergency situations.

12" touchscreen

The clear, fast display and user interface can help to perform CRRT treatment safely. A comprehensive troubleshooting guide helps the user correct problems quickly. The unique screen saver is visible from up to 10 meters.

360° status light

Located at the top of the OMNI and visible from any side, three different lights linked to audible alarms help the user follow treatment, change the bags or the heparin or calcium syringe or troubleshoot.



THE NEW SAFETY FIRST CLASS.



In the ICU there is often only one chance to get it right. OMNI offers options that provide high levels of safety.

Two-channel system

The dual-channel system including control and protective channels are designed to ensure high level safety and accuracy for CRRT.

Barcode scanner

Proper set selection is verified using barcodes, avoiding potential setup errors as well as the use of filters that have exceeded their expiration dates.

Backup battery

A backup battery capacity of up to 30 minutes can secure the safety of the patient during emergency situations and allows patient transportation without stopping the blood pump.

Three-way clamps for therapy/dilution change

Acute changes in the patient's condition must be addressed immediately. The three-way clamps system allows the user to move between the therapy and dilution panels with the same set at any time.

Treatment History

History function allows the user to recover the last 10 patients treatment record.



OMNiset®*

Product Brand name	Surface size
OMNiset	0.8m ² - 1.2m ² - 1.6m ²
OMNiset Pro	0.8m ² - 1.2m ² - 1.6m ²
OMNiset TPE	0.5m ² - 0.7m ²
OMNiset L validated for up to 96h	1.6m ²
OMNiset Plus	1.6m ²
OMNiset ECCO2R	1.6m ²

*OMNiset Set Version 3.00 (or higher)

OMNIbag®

Product Brand name	Size
OMNIbag	7000 ml Effluent Bag standard
OMNIbag	7000 ml Effluent Bag with drainage function



Duosol®

Na+ mmol/l	K+ mmol/l	Ca++ mmol/l	Mg++ mmol/l	Cl mmol/l	HCO ₃ - mmol/l	Glucose mmol/l	Theoret. osmolarity mOsm/l
140	0	1.5	0.5	109	35.0	5.6	292
140	2	1.5	0.5	111	35.0	5.6	296
140	4	1.5	0.5	113	35.0	5.6	300

Packaging type: 1 box contains 2 bags, pallet assembly: 50 boxes



B. BRAUN BICARBONATE CALCIUM FREE SOLUTION

Na+ mmol/l	K+ mmol/l	CA++ mmol/l	Mg++ mmol/l	Cl mmol/l	HCO ₃ - mmol/l
136	4	0	0.75	116.5	25
136	2	0	0.75	114.5	25

Packaging type: 1 box contains 2 bags, pallet assembly: 50 boxes

CITRATE SOLUTION (CITRASOL 4%, 2 LITER)

Na+ mmol/l	Citrate mmol/l	pH	Theoret. osmolarity mOsm/l
404.6	136.4	~ 7	539.5

Packaging type: 1 box contains 5 bags



COMPOSITION OF READY TO USE SOLUTION

B. Braun Avitum AG | 34212 Melsungen | Germany
Phone +49 5661 71-0 | www.bbraun.com